

Masonry

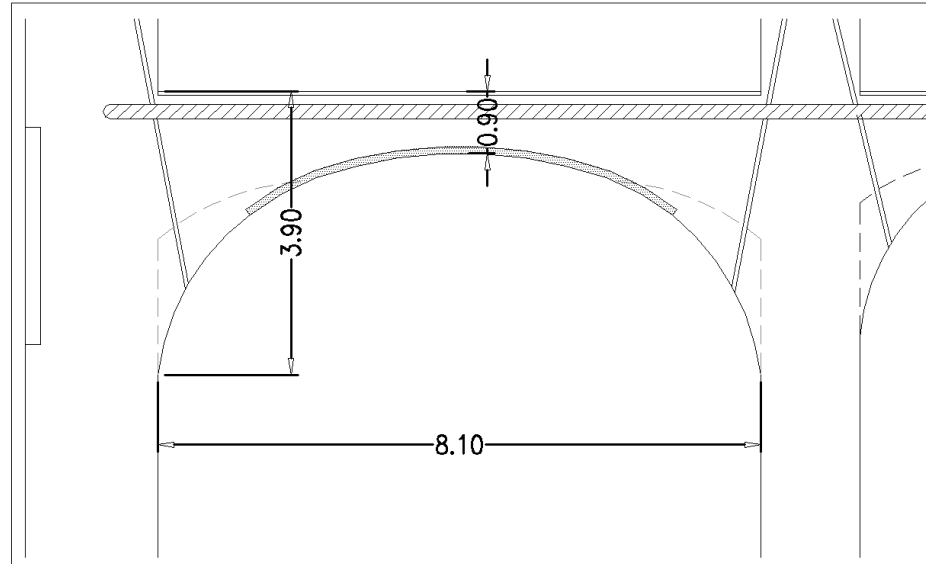


Figure 1: Arch restoration section, *Real Albergo dei Poveri*, Naples

	N [kN]	T [kN]	M [kNm]
AN	593	1022	1021
FEA	549	1022	1060

Table1 : General stresses N , T , M for the arch problem.

Considering the simple problem of a masonry arch, the model under investigation is able to predict the effect induced by a distributed load and calculate reactions forces.